

Heart-shaped cushion decorated with Antique hand embroidery stitches Size 26 cm x 21 cm (10 1/4" x 8 3/8")

The cushion is made with the Pfaff creative 2144

You need

60 cm x 45 cm (24" x 18") dark red silk fabric
Sewing thread to match the fabric
4 colors of embroidery thread 40 wt.(orange, pink, blue, and violet)
Bobbin thread for embroidery
Tear away stabilizer
Fabric marker
Fiberfill

Seam allowance is included with 1cm (3/8") in the pattern measurements for the cushion.

1 paper pattern

You can download the pattern pieces and diagram for assembling them from the Internet. Print them out in Adobe Acrobat and tape them together to make a full sized pattern

2 cutting

Front, cut 1. Please note: You have to sew all the antique hand embroidery stitches first and then cut out the piece exactly. Back, cut 1

3 embroidering

Use the fabric marker to draw the outline of the heart on the fabric. Cut out the heart shape roughly, leaving approx. 5 cm (2") fabric around all edges.

Snap on presser foot 2A and disengage the IDT. Back the fabric with tear away stabilizer. Thread your machine with the color of embroidery thread that you would like to have on the centre line of the hand embroidery stitches on top and the bobbin thread for embroidery in the bobbin case. Use the fabric marker to draw the center line for the antique hand embroidery stitches on the fabric. Stitch this line first and then stitch the remaining lines of decorative stitching above and below it.

Use the pattern diagram for stitch placement and color recommendations. Use the regular settings (stitch width and stitch length) that are set when you select the antique hand embroidery stitches.

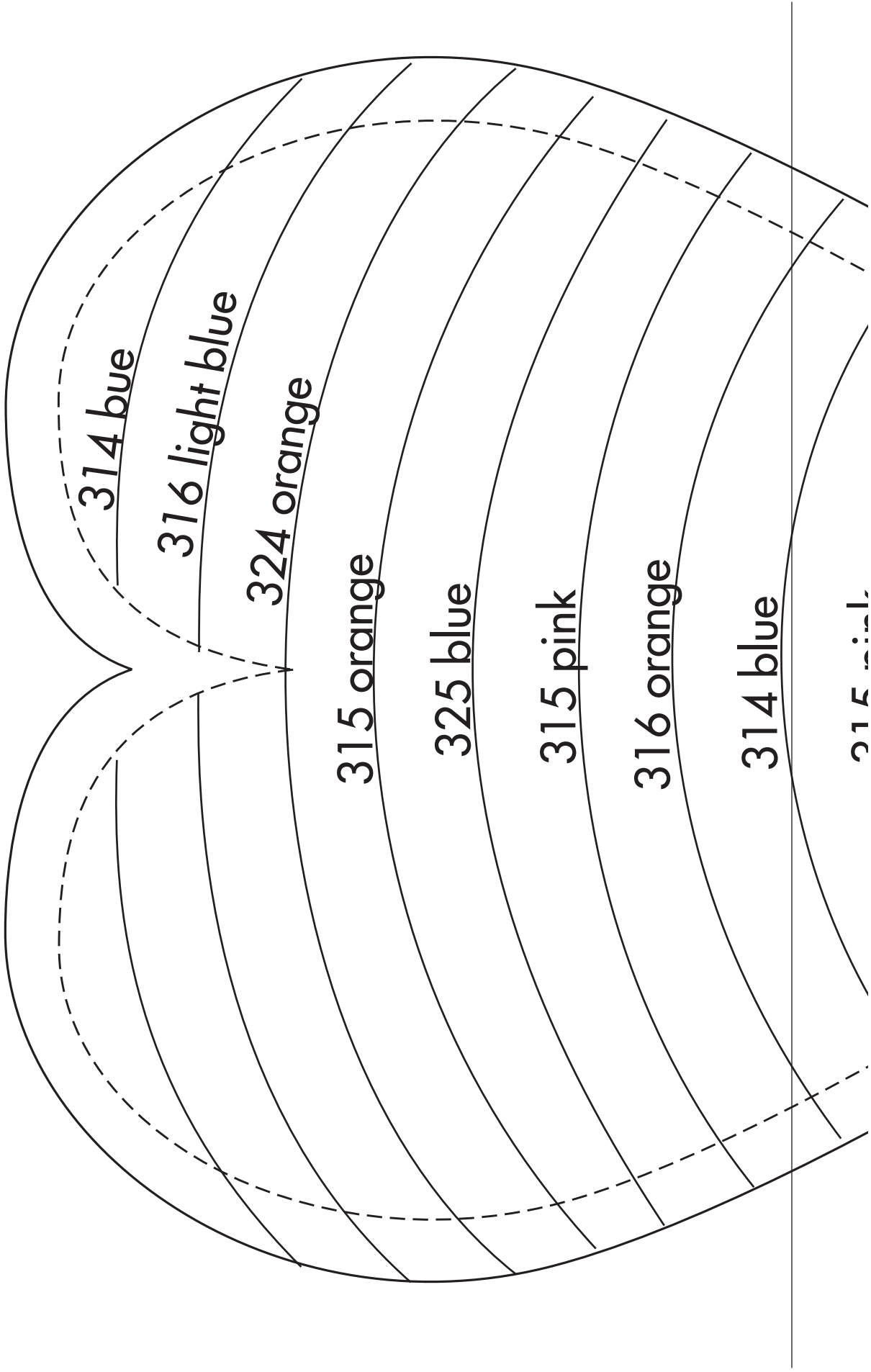
The second, and all following, lines of stitches can be placed exactly with the help of the edge guide that comes with your Pfaff creative 2144. Set the edge guide so that it runs along the edge of the preceding stitch line. Tear away the stabilizer after you have stitched all lines of the antique hand embroidery stitches. Cut out the heart shape exactly.

4 finishing

Pin the front and the back pieces together. Rethread your Pfaff creative 2144 with regular sewing thread matching the fabric both on top and in the bobbin. Select straight stitch. Change to presser foot 0A and engage the IDT. Sew together along all edges, leaving approx. 8 cm (3 1/4") open for turning.

Trim seam allowances. Turn right side out.

Fill with fiberfill. Sew the open seam section closed.



314 blue

316 light blue

324 orange

315 orange

325 blue

315 pink

316 orange

314 blue

315 pink

